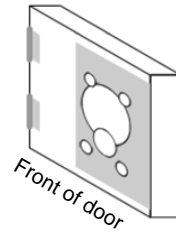


CrossOver X15 Installation Template

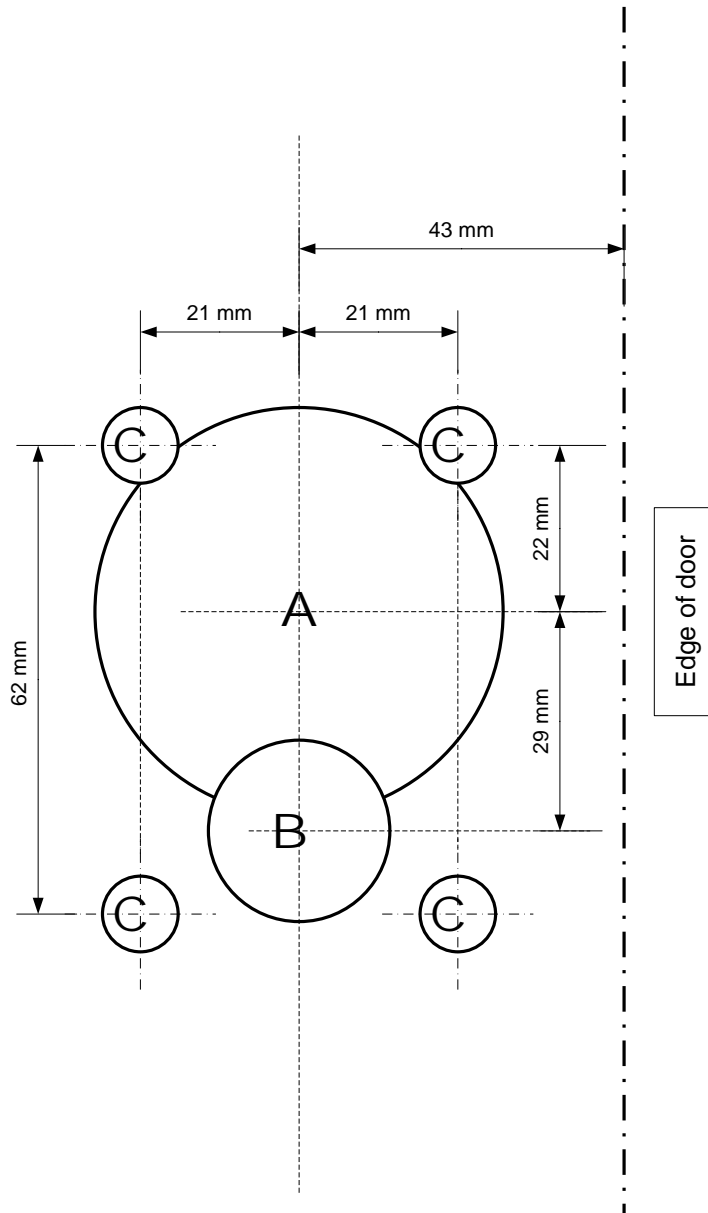
Left design (door is on left)
For right design (door on right) see page 3.

Tape template to door as shown at right to drill in correct locations.

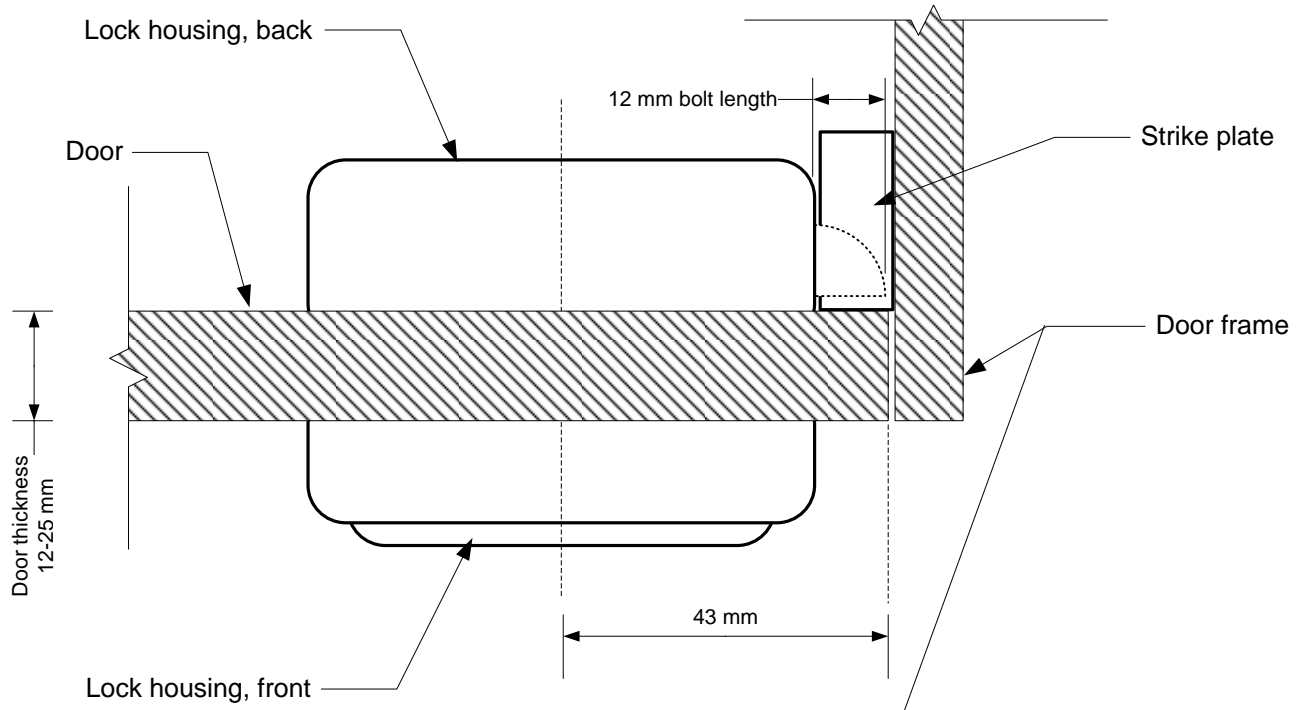


Diameters

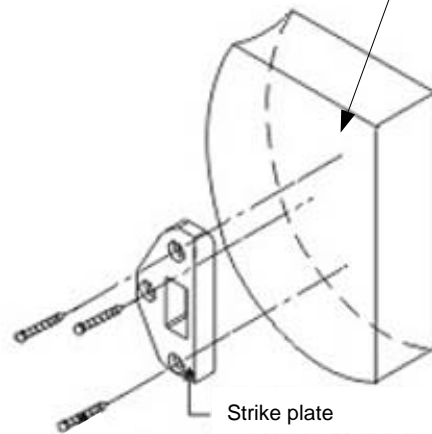
Hole A = 54 mm
Hole B = 24 mm
Hole C = 10 mm



Top view of lock installation (left design)



Strike plate installation

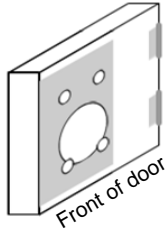


(Offset strike plate by thickness of door)

CrossOver X15 Installation Template

Right design (door is on right)

For left design (door on left), see page 1.

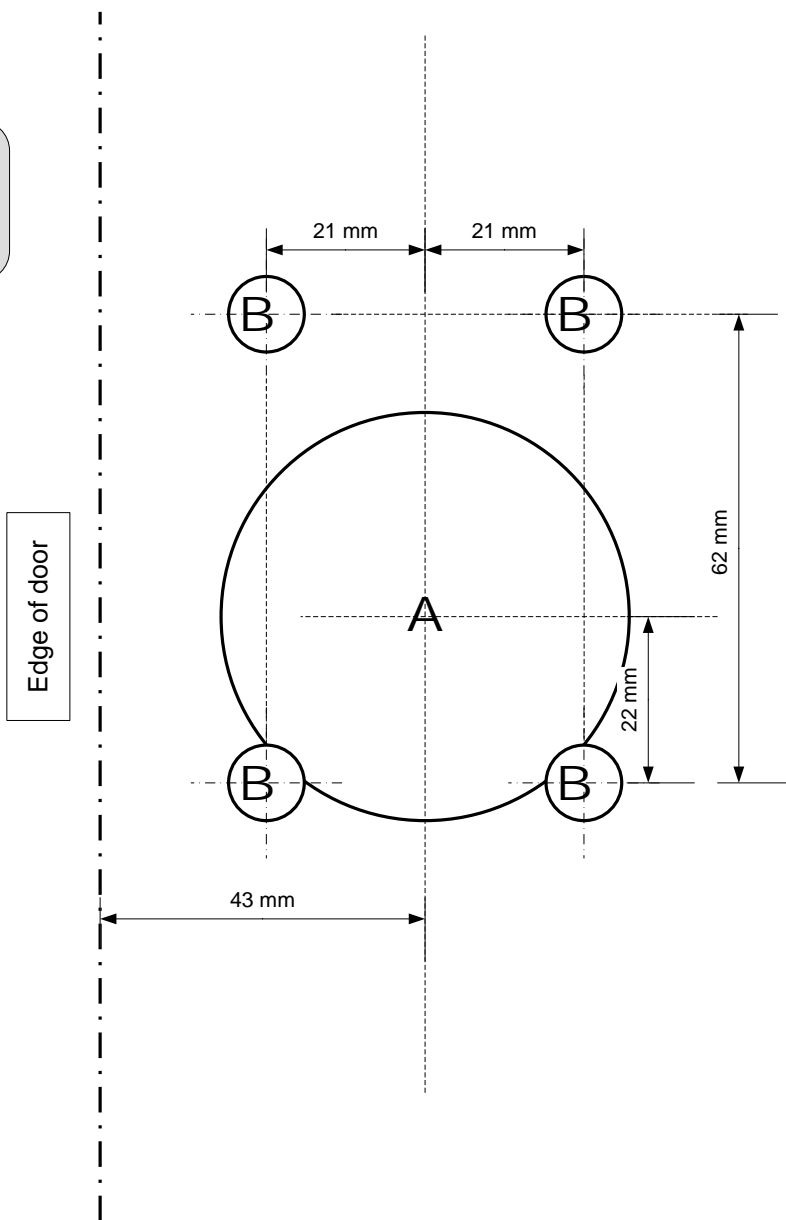


Tape template to door as shown at left to drill in correct locations.

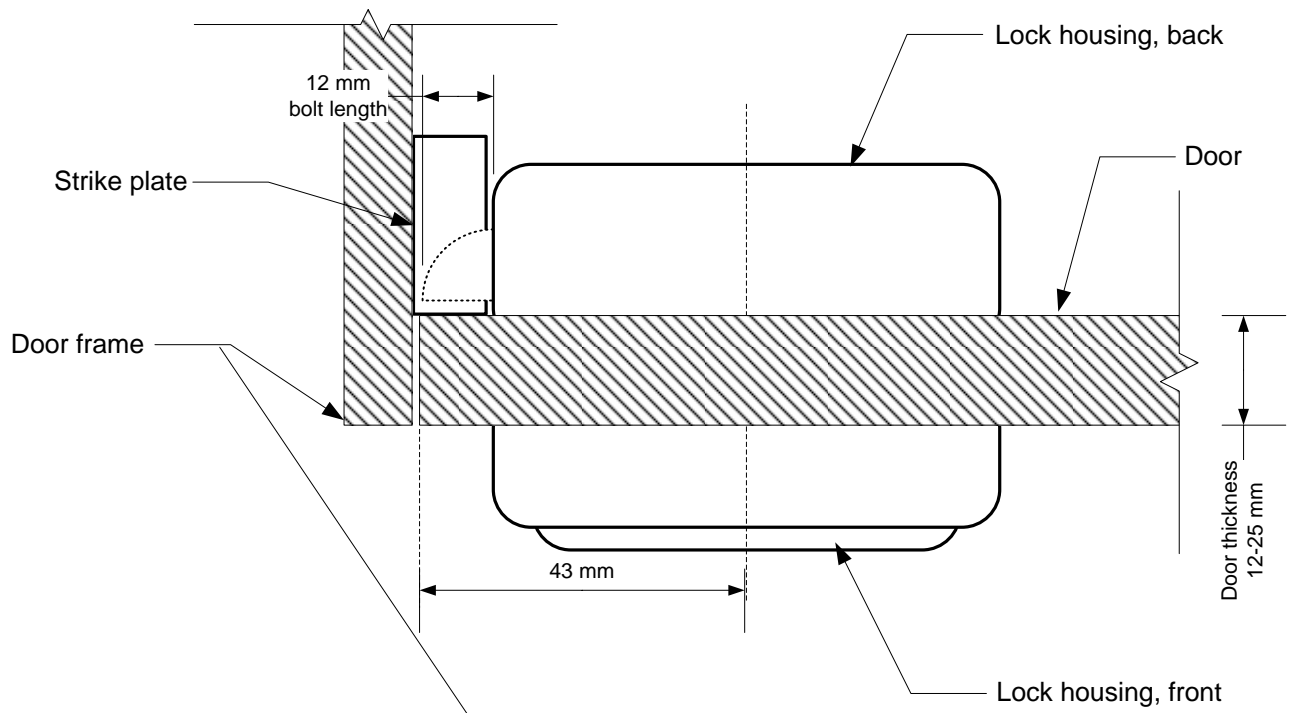
Diameters

Hole A = 54 mm

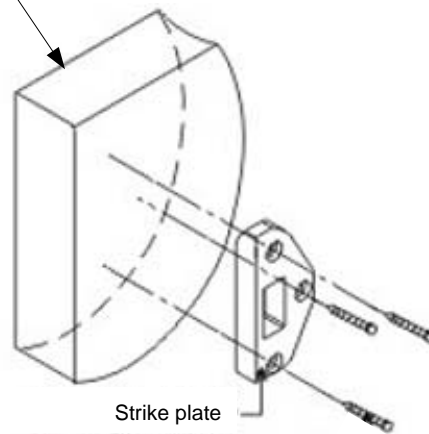
Hole B = 10 mm



Top view of lock installation (right design)



Strike plate installation



(Offset strike plate by thickness of door)